



# COLLECTOR®

## The extremely flexible hose for milk collecting trucks

### Application

COLLECTOR® is the ideal high-quality hose for the reliable and safe use with milk collecting trucks. Its white lining made from natural rubber is absolutely neutral to taste and odour, resistant to raw milk as well as to commonly used cleaning products. The reinforcements with just one steel wire helix allow a pressure of 6 bar (87 psi). The very high flexibility of the hose makes it easy to handle. The NR cover is resistant to abrasion, UV and ozone.

### Marking

2 parallel, spirally applied red stripes, interrupted by the words "Continental ContiTech COLLECTOR® FDA glass/fork symbol BfR EG 1935/2004 2023/2006 Made in Germany" on blue cover

### Description

- › White, homogeneous, smooth NR-lining, absolutely neutral to taste and odour
- › Reinforcements: synthetic fibres
- › With steel wire helix
- › Blue, fabric patterned NR-cover, resistant to ozone, weather, UV and abrasion
- › Working pressure up to 6 bar / 87 psi
- › Temperature range from -40°C up to +70°C / -40°F up to +158°F (+90°C / +194°F max. 20 minutes)
- › Can be steamed up to +130°C / +266°F (max. 20 minutes)
- › Highly flexible and lightweight
- › Meets the requirements of EG 1935/2004 and EG 2023/2006
- › Meets the recommendation XXI cat. 2 of BfR and FDA (21 CFR 177.2600)

### Technical data

nominal width	inner-Ø	wall thickness	length	steel wire helix	working pressure		min. burst pressure		Vacuum		min. bending radius	weight
					bar	psi	bar	psi	bar	mmHg		
inch	mm	mm	m							aprx. mm	aprx. g/m	
1 1/2	38	5.5	40	•	6	87	18	261	-0,8	-600	76	1200
1 9/16	40	5.5	40	•	6	87	18	261	-0,8	-600	80	1300
1 3/4	45	5.5	40	•	6	87	18	261	-0,8	-600	90	1400
2	50	5.5	40	•	6	87	18	261	-0,8	-600	100	1500
2 1/8	53	5.5	40	•	6	87	18	261	-0,8	-600	106	1600
2 1/2	63	6	40	•	6	87	18	261	-0,8	-600	126	2200
2 5/8	65	7	40	•	6	87	18	261	-0,8	-600	140	2500
3	75	7	40	•	6	87	18	261	-0,8	-600	170	3000
4	100	8	40	•	6	87	18	261	-0,8	-600	250	4550

Pressure and vacuum based on room temperature and adequate bending radius / High pressure and/or temperature lead to reduced component durability





# COLLECTOR® FLEX

## The flexible hose with plastic helix for milk collecting trucks

### Application

COLLECTOR® FLEX is a further development of the established COLLECTOR® quality. Thanks to the flexibility of the new integrated plastic helix, the hose shows an excellent handling, even at low temperatures. Its white lining made from natural rubber is absolutely neutral to taste and odour, resistant to raw milk as well as to commonly used cleaning products. The NR cover is resistant to abrasion, UV and ozone.

### Marking

2 parallel, spirally applied red stripes, interrupted by the words "Continental ContiTech COLLECTOR® FLEX FDA glass/fork symbol BfR EG 1935/2004 2023/2006 Made in Germany" on blue cover

### Description

- › White, homogeneous, smooth, NR-lining, absolutely neutral to taste and odour
- › Reinforcements: synthetic fibres
- › With plastic helix
- › Blue, fabric patterned NR-cover, resistant to ozone, weather, UV and abrasion
- › Working pressure up to 6 bar / 87 psi
- › Temperature range from -40°C up to +70°C / -40°F up to +158°F (+90°C / +194°F max. 20 minutes)
- › Can be steamed up to +130°C / +266°F (max. 20 minutes)
- › Flexible and lightweight
- › Meets the requirements of EG 1935/2004 and EG 2023/2006
- › Meets the recommendation XXI cat. 2 of BfR and FDA (21 CFR 177.2600)

### Technical data

nominal width inch	inner-Ø mm	wall thickness mm	length m	steel wire helix	working pressure		min. burst pressure		Vacuum		min. bending radius aprx. mm	weight aprx. g/m
					bar	psi	bar	psi	bar	mmHg		
1 9/16	40	6.5	40	•	6	87	18	261	-0,8	-600	120	1290
1 3/4	45	6.5	40	•	6	87	18	261	-0,8	-600	135	1440
2	50	6.5	40	•	6	87	18	261	-0,8	-600	150	1620
2 1/8	53	6.5	40	•	6	87	18	261	-0,8	-600	160	1700
2 1/4	55	6.5	40	•	6	87	18	261	-0,7	-525	165	1760
2 1/2	63	6.5	40	•	6	87	18	261	-0,7	-525	190	1870
2 3/4	70	7	40	•	6	87	18	261	-0,7	-525	220	2270
3	75	7.5	40	•	6	87	18	261	-0,6	-450	225	2400
4	100	8	40	•	6	87	18	261	-0,6	-450	300	3240

Pressure and vacuum based on room temperature and adequate bending radius / High pressure and/or temperature lead to reduced component durability





# LACTOPAL<sup>®</sup>

## The multi-purpose hose for the food industry

### Application

LACTOPAL<sup>®</sup> is the multi-purpose, high-class hose for the food, pharmaceutical and cosmetic industry. The white lining, resistant to fatty and oily products, is homogeneous, smooth and neutral to taste and odour. It is resistant to commonly used cleaning and disinfecting products. Especially developed for rough working conditions LACTOPAL<sup>®</sup> is robust, ensuring dimensional stability and resists running over by trucks. Together with our swaged coupling systems and rubber protection rings it becomes the ideal hose assembly!

### Marking

Red spiral with integrated blue wavy line, interrupted by the words "Continental ContiTech LACTOPAL<sup>®</sup> FDA glass/fork symbol BfR EG 1935/2004 2023/2006 Made in Germany" on blue cover, spirally applied

### Description

- › White, homogenous and non-porous NBR lining, absolutely neutral to taste and odour
- › Reinforcements: synthetic fibres
- › Blue fabric patterned NBR-cover, resistant to ozone, weather, UV and abrasion
- › Working pressure up to 16 bar / 232 psi
- › Temperature range from -30°C up to +80°C / -22°F up to +176°F (+90°C / +194°F max. 20 minutes)
- › Can be steamed up to +110°C / +230°F (+130°C / +266°F max. 20 minutes)
- › Lining and cover both resistant to oil and fats
- › Meets the requirements of EG 1935/2004 and EG 2023/2006
- › Meets the recommendation XXI cat. 2 of BfR and FDA (21 CFR 177.2600)
- › 2 years warranty

### Technical data

nominal width	inner-Ø	wall thickness	length	working pressure		min. burst pressure		Vacuum		min. bending radius	weight
				bar	psi	bar	psi	bar	mmHg		
inch	mm	mm	m							aprx. mm	aprx. g/m
1/2	13	4	40	16	232	48	696	-0,6	-450	80	280
5/8	16	4	40	16	232	48	696	-0,6	-450	100	320
3/4	19	5	40	16	232	48	696	-0,6	-450	115	500
1	25	6	40	16	232	48	696	-0,5	-375	150	800
1 1/4	32	8	40	16	232	48	696	-0,5	-375	195	1400
1 1/2	38	9	40	16	232	48	696	-0,5	-375	230	1700
1 9/16	40	9	40	16	232	48	696	-0,5	-375	240	1900
2	50	10	40	16	232	48	696	-0,4	-300	300	2700
2 3/8	60	10	40	16	232	48	696	-0,4	-300	420	3000
2 5/8	65	12	40	16	232	48	696	-0,4	-300	455	3800
2 3/4	70	12	40	16	232	48	696	-0,3	-225	490	3900
3	75	12	40	16	232	48	696	-0,3	-225	525	4100
3 1/8	80	14	40	16	232	48	696	-0,3	-225	560	5100
4	100	15	40	16	232	48	696	-0,3	-225	700	6700

Pressure and vacuum based on room temperature and adequate bending radius / High pressure and/or temperature lead to reduced component durability / Warranty refers to faulty material and manufacture provided that couplings have been fitted by experts, that the recommended working conditions have been respected and that the hose has been used properly





# LACTOPAL® L

## The suction-proof multi-purpose hose for the food industry

### Application

LACTOPAL® L is the multi-purpose, high-class hose with steel wire helix for the food, pharmaceutical and cosmetic industry. The white lining is homogeneous, smooth, neutral to taste and odour and is especially designed for the transport of fatty and oily products. It is resistant to commonly used cleaning and disinfecting products. The incorporated steel wire helix makes LACTOPAL® L extremely flexible, lightweight and particularly resistant to suction. Together with our swaged coupling systems and rubber protection rings it becomes the ideal hose assembly!

### Marking

Red spiral with integrated blue wavy line, interrupted by the words "Continental ContiTech LACTOPAL® FDA glass/fork symbol BfR EG 1935/2004 2023/2006 Made in Germany" on blue cover, spirally applied

### Description

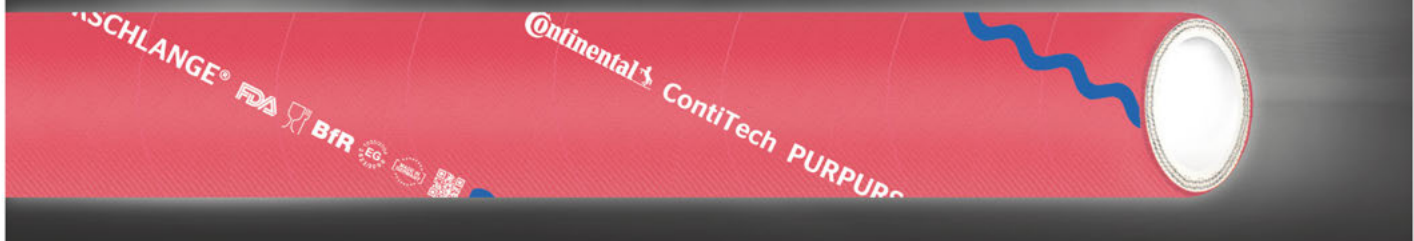
- › White, homogenous and non-porous NBR lining, absolutely neutral to taste and odour
- › Reinforcements: synthetic fibres
- › With steel wire helix
- › Blue, fabric patterned NBR-cover, resistant to ozone, weather, UV and abrasion
- › Working pressure up to 16 bar / 232 psi
- › Temperature range from -30°C up to +80°C / -22°F up to +176°F (+90°C / +194°F max. 20 minutes)
- › Can be steamed up to +110°C / +230°F (+130°C / +266°F max. 20 minutes)
- › Lining and cover resistant to oil and fats
- › Meets the requirements of EG 1935/2004 and EG 2023/2006
- › Meets the recommendation XXI cat. 2 of BfR and FDA (21 CFR 177.2600)

### Technical data

nominal width inch	inner-Ø mm	wall thickness mm	length m	steel wire helix	working pressure		min. burst pressure		Vacuum		min. bending radius aprx. mm	weight aprx. g/m
					bar	psi	bar	psi	bar	mmHg		
3/4	19	5	40	•	16	232	48	696	-0,8	-600	60	600
1	25	6	40	•	16	232	48	696	-0,8	-600	80	880
1 1/4	32	6	40	•	16	232	48	696	-0,8	-600	100	1100
1 1/2	38	6.5	40	•	16	232	48	696	-0,8	-600	115	1430
1 9/16	40	7	40	•	16	232	48	696	-0,8	-600	130	1640
2	50	8	40	•	16	232	48	696	-0,8	-600	150	2170
2 1/8	53	7	40	•	16	232	48	696	-0,8	-600	160	2000
2 3/8	60	7	40	•	16	232	48	696	-0,8	-600	170	2350
2 1/2	63	7	40	•	16	232	48	696	-0,8	-600	180	2470
2 5/8	65	8	40	•	16	232	48	696	-0,8	-600	190	2870
3	75	8	40	•	16	232	48	696	-0,8	-600	225	3310
3 1/8	80	8	40	•	16	232	48	696	-0,8	-600	300	3510
4	100	9	40	•	16	232	48	696	-0,8	-600	350	4650

Pressure and vacuum based on room temperature and adequate bending radius / High pressure and/or temperature lead to reduced component durability





# PURPLE SNAKE®

Internationally the No.1 hose for the brewing and beverage industry

### Application

PURPLE SNAKE® in improved quality is the ideal hose for breweries, winepresses, bottlers and many other installations in the brewing, beverage and spirits industry. Flexibility, pressure resistance and long service life – even under extreme working conditions – are additional advantages, which make the hose most popular all over the world. The new, optimized lining conforms to foodstuffs regulations and is absolutely neutral to taste and odour, homogeneous, smooth and temperature resistant up to +90°C (+194°F). The hose is resistant to conventional cleaning agents and disinfectants. PURPLE SNAKE® can easily be cleaned conventionally or by CIP installations. Together with our swaged coupling systems and rubber protection rings it becomes the ideal hose assembly!

### Marking

Blue wavy line on red cover, interrupted by the words "Continental ContiTech PURPURSCHLANGE® FDA glass/fork symbol BfR EG 1935/2004 2023/2006 Made in Germany", spirally applied

### Description

- › White, non-porous and high-performing special lining, absolutely neutral to taste and odour
- › Reinforcements: synthetic fibres
- › Red, fabric patterned special cover, resistant to ozone, weather, UV and abrasion
- › Working pressure up to 16 bar / 232 psi
- › Temperature range from -30°C up to +90°C / -22°F up to +194°F (up to +100°C / +212°F max. 60 minutes)
- › Can be steamed up to +130°C / +266°F (max. 30 minutes)
- › Suitable for pure alcohol up to 98%
- › Meets the requirements of EG 1935/2004 and EG 2023/2006
- › Meets the recommendation XXI cat. 2 of BfR and FDA (21 CFR 177.2600)
- › 3 years warranty

### Technical data

nominal width inch	inner-Ø mm	wall thickness mm	length m	steel wire helix	working pressure		min. burst pressure		Vacuum		min. bending radius aprx. mm	weight aprx. g/m
					bar	psi	bar	psi	bar	mmHg		
1/2	13	3.5	40		16	232	48	696	-0,6	-450	80	250
5/8	16	4	40		16	232	48	696	-0,6	-450	100	300
3/4	19	5	40		16	232	48	696	-0,6	-450	120	450
1	25	6	40		16	232	48	696	-0,5	-375	160	750
1 1/4	32	8	40		16	232	48	696	-0,5	-375	190	1200
1 1/4	32	8	60		16	232	48	696	-0,5	-375	230	1200
1 1/2	38	9	40		16	232	48	696	-0,5	-375	230	1600
1 9/16	40	9	40		16	232	48	696	-0,5	-375	240	1650
2	50	8	40	•	16	232	48	696	-0,8	-600	250	2050
2	50	10	40		16	232	48	696	-0,4	-300	300	2200
2 5/8	65	12	40		16	232	48	696	-0,4	-300	450	3300
3	75	8	40	•	16	232	48	696	-0,8	-600	375	3150
3	75	12	40		16	232	48	696	-0,3	-225	500	3800
3 1/8	80	8	40	•	16	232	48	696	-0,8	-600	400	3320
3 1/8	80	14	40		16	232	48	696	-0,3	-225	560	4800



**PURPLE SNAKE®**

nominal width	inner-Ø	wall thickness	length	steel wire helix	working pressure		min. burst pressure		Vacuum		min. bending radius	weight
					bar	psi	bar	psi	bar	mmHg		
inch	mm	mm	m								aprx. mm	aprx. g/m
4	100	9	40	•	16	232	48	696	-0,8	-600	500	4850
4	100	15	40		16	232	48	696	-0,3	-225	700	6400

Pressure and vacuum based on room temperature / High pressure and/or temperature lead to reduced component durability





# PURPLE SNAKE<sup>®</sup> PLUS CONDUCTIVE

The hose for the brewing and beverage industry - electrically conductive

### Application

PURPURSCHLANGE<sup>®</sup> PLUS CONDUCTIVE is the new hightech version of the reliable and internationally known PURPURSCHLANGE<sup>®</sup>. It is the first food hose with all food approvals as well as electrical conductivity for the total hose construction, due to the black coiled OHM conductive stripe inside and outside. Thus it is optimally suitable for operation in ex-zones, especially for transport of high-proof alcohol in breweries, distilleries, wineries, bottlers and many other installations in the brewing, beverage and spirits industry. The white UPE lining is absolutely neutral to taste and odour, homogeneous, smooth, free of plasticizers and temperature resistant up to +95°C (+203°F). Due to the high abrasion resistance the hose is also suitable for conveying granulate and powder medium. Flexibility, pressure resistance and long service life – even under extreme working conditions – are additional advantages. PURPLE SNAKE<sup>®</sup> PLUS CONDUCTIVE can easily be cleaned conventionally or by CIP installations. Together with our swaged coupling systems and rubber protection rings it becomes the ideal hose assembly!

### Description

- › White, non-porous and smooth UPE lining with black coiled OHM conductive stripe, absolutely neutral to taste and odour
- › Reinforcements: synthetic fibres
- › Red, fabric patterned special cover with black coiled OHM conductive stripe, resistant to ozone, weather, UV and abrasion
- › Working pressure up to 16 bar / 232 psi
- › Temperature range from -30°C up to +95°C / -22°F up to +203°F (+110°C / +230°F max. 60 minutes)
- › Can be steamed up to +130°C / +266°F (max. 30 minutes)
- › Suitable for pure alcohol up to 100%
- › Meets the requirements of EG 1935/2004, EG 2023/2006 and EU 10/2011
- › Meets the recommendation III of BfR and FDA (21 CFR 177.1520)
- › Electrically conductive through the hose wall

### Marking

axially applied blue wavy line on red cover "Continental ContiTech  
PURPURSCHLANGE<sup>®</sup> PLUS CONDUCTIVE FDA glass/fork symbol  
BfR EG 1935/2004 2023/2006 Made in Germany"

### Technical data

nominal width inch	inner-Ø mm	wall thickness mm	length m	steel wire helix	working pressure		min. burst pressure		Vacuum		min. bending radius aprx. mm	weight aprx. g/m
					bar	psi	bar	psi	bar	mmHg		
1	25	6	40	•	16	232	48	696	-0,9	-675	100	800
1 1/4	32	6	40	•	16	232	48	696	-0,9	-675	125	1050
1 9/16	40	7	40	•	16	232	48	696	-0,9	-675	150	1450
2	50	8	40	•	16	232	48	696	-0,9	-675	200	2200
2 5/8	65	8	40	•	16	232	48	696	-0,9	-675	250	2570
3	75	8	40	•	16	232	48	696	-0,9	-675	300	2850
3 1/8	80	8	40	•	16	232	48	696	-0,8	-608	300	3100
4	100	9	40	•	16	232	48	696	-0,8	-608	400	4700

Pressure and vacuum based on room temperature / High pressure and/or temperature lead to reduced component durability





# BLAUDIECK® LGD

## The beverage and foodstuff hose

### Application

The BLAUDIECK® LGD-hose offers high quality at a reasonable price. The hygienically smooth, non-porous lining is absolutely neutral to taste and odour and thus suitable for various applications in the beverage and foodstuffs industry. It is resistant to commonly used cleaning and disinfecting products and can easily be cleaned conventionally or by CIP installations. Both, lining and cover are resistant to oil and fats. Together with our swaged coupling systems and rubber protection rings it becomes the ideal hose assembly!

### Marking

2 white stripes on blue cover "Continental ContiTech BLAUDIECK® FDA glass/fork symbol BfR EG 1935/2004 2023/2006 Made in Germany" spirally applied

### Description

- › White, non-porous and smooth NBR lining, absolutely neutral to taste and odour
- › Reinforcements: synthetic fibres
- › Blue, fabric patterned NBR-cover, resistant to ozone, weather, UV and abrasion
- › Working pressure up to 16 bar / 232 psi
- › Temperature range from -30°C up to +80°C / -22°F up to +176°F (+90°C / +194°F max. 20 minutes)
- › Can be steamed up to +110°C / +230°F (+130°C / +266°F max. 20 minutes)
- › Lining and cover resistant to oil and fats
- › Meets the requirements of EG 1935/2004 and EG 2023/2006
- › Meets the recommendation XXI cat. 2 of BfR and FDA (21 CFR 177.2600)

### Technical data

nominal width inch	inner-Ø mm	wall thickness mm	length m	working pressure		min. burst pressure		Vacuum		min. bending radius aprx. mm	weight aprx. g/m
				bar	psi	bar	psi	bar	mmHg		
1/2	13	4	40	16	232	48	696	-0,6	-450	80	280
5/8	16	4	40	16	232	48	696	-0,6	-450	100	320
3/4	19	5	40	16	232	48	696	-0,6	-450	115	500
1	25	6	40	16	232	48	696	-0,5	-375	150	800
1 1/4	32	8	40	16	232	48	696	-0,5	-375	195	1400
1 1/2	38	9	40	16	232	48	696	-0,5	-375	230	1700
1 9/16	40	9	40	16	232	48	696	-0,5	-375	240	1900
2	50	10	40	16	232	48	696	-0,4	-300	300	2700
2 5/8	65	12	40	16	232	48	696	-0,4	-300	455	3800
3	75	12	40	16	232	48	696	-0,3	-225	525	4100
3 1/8	80	14	40	16	232	48	696	-0,3	-225	560	5100
4	100	15	40	16	232	48	696	-0,3	-225	700	6700

Pressure and vacuum based on room temperature / High pressure and/or temperature lead to reduced component durability







# BLAUDIECK® LGDS

## The vacuum resistant beverage and foodstuff hose

### Application

The BLAUDIECK® LGDS-hose as a vacuum resistant construction with an integrated steel wire helix offers high quality at a reasonable price. The hygienically smooth, non-porous lining is absolutely neutral to taste and odour and thus suitable for various applications in the beverage and food industry. It is resistant to commonly used cleaning and disinfecting products and can easily be cleaned conventionally or by CIP installations. Both, lining and cover are resistant to oil and fats. Together with our swaged coupling systems and rubber protection rings it becomes the ideal hose assembly!

### Marking

2 white stripes on blue cover "Continental ContiTech BLAUDIECK® FDA glass/fork symbol BfR EG 1935/2004 2023/2006 Made in Germany" spirally applied

### Description

- › White, non-porous and smooth NBR lining, absolutely neutral to taste and odour
- › Reinforcements: synthetic fibres
- › With steel wire helix
- › Blue, fabric patterned NBR-cover, resistant to ozone, weather, UV and abrasion
- › Working pressure up to 16 bar / 232 psi
- › Temperature range from -30°C bis +80°C / -22°F up to +176°F (+90°C / +194°F max. 20 minutes)
- › Can be steamed up to +110°C / +230°F (+130°C / +266°F max. 20 minutes)
- › Lining and cover both resistant to oil and fats
- › Meets the requirements of EG 1935/2004 and EG 2023/2006
- › Meets the recommendation XXI cat. 2 of BfR and FDA (21 CFR 177.2600)

### Technical data

nominal width inch	inner-Ø mm	wall thickness mm	length m	steel wire helix	working pressure		min. burst pressure		Vacuum		min. bending radius aprx. mm	weight aprx. g/m
					bar	psi	bar	psi	bar	mmHg		
3/4	19	5	40	•	16	232	48	696	-0,8	-600	60	600
1	25	6	40	•	16	232	48	696	-0,8	-600	80	880
1 1/4	32	6	40	•	16	232	48	696	-0,8	-600	100	1100
1 1/2	38	6.5	40	•	16	232	48	696	-0,8	-600	115	1430
1 9/16	40	7	40	•	16	232	48	696	-0,8	-600	130	1640
2	50	8	40	•	16	232	48	696	-0,8	-600	150	2170
2 5/8	65	8	40	•	16	232	48	696	-0,8	-600	190	2870
3	75	8	40	•	16	232	48	696	-0,8	-600	225	3310
3 1/8	80	8	40	•	16	232	48	696	-0,8	-600	300	3510
4	100	9	40	•	16	232	48	696	-0,8	-600	350	4650

Pressure and vacuum based on room temperature / High pressure and/or temperature lead to reduced component durability





# BLAUDIECK® LGDU

## The beverage and foodstuff hose with UPE liner

### Application

The BLAUDIECK® LGDU-hose offers high quality at a reasonable price. The hygienically smooth, non-porous UPE lining free of plasticizers is absolutely neutral to taste and odour and thus suitable for various applications in the beverage and foodstuffs industry. It is extremely resistant to commonly used cleaning and disinfecting products and can easily be cleaned conventionally or by CIP installations. Both, lining and cover are resistant to oil, fats and aggressive chemicals such as acids and caustics. Together with our swaged coupling systems and rubber protection rings it becomes the ideal hose assembly!

### Marking

2 white stripes on blue cover "Continental ContiTech BLAUDIECK® UPE FDA glass/fork symbol BfR EG 1935/2004 2023/2006 Made in Germany" spirally applied

### Description

- › White, non-porous, smooth UPE lining, free of plasticizers, absolutely neutral to taste and odour
- › Reinforcements: synthetic fibres
- › Blue, fabric patterned NBR-cover, resistant to ozone, weather, UV and abrasion
- › Working pressure up to 16 bar / 232 psi
- › Temperature range from -30°C up to +95°C / -22°F up to +203°F (+110°C / +230 °F max. 60 minutes)
- › Can be steamed up to +130°C / +266°F (max. 30 minutes)
- › Suitable for pure alcohol up to 100%
- › Lining and cover resistant to oil and fats
- › Meets the requirements of EG 1935/2004, EG 2023/2006 and EU 10/2011
- › Meets the recommendation III of BfR and FDA (21 CFR 177.1520)

### Technical data

nominal width inch	inner-Ø mm	wall thickness mm	length m	working pressure		min. burst pressure		Vacuum		min. bending radius aprx. mm	weight aprx. g/m
				bar	psi	bar	psi	bar	mmHg		
1	25	6	40	16	232	48	696	-0,6	-450	150	750
1 1/4	32	8	40	16	232	48	696	-0,6	-450	200	1200
1 9/16	40	9	40	16	232	48	696	-0,6	-450	250	1480
2	50	10	40	16	232	48	696	-0,5	-375	350	2050
2 5/8	65	12	40	16	232	48	696	-0,5	-375	450	3120
3	75	12	40	16	232	48	696	-0,4	-300	500	3450
3 1/8	80	14	40	16	232	48	696	-0,4	-300	650	4390
4	100	15	40	16	232	48	696	-0,4	-300	750	5800

Pressure and vacuum based on room temperature / High pressure and/or temperature lead to reduced component durability





# BLAUDIECK® LGDSU

## The vacuum resistant beverage and foodstuff hose with UPE liner

### Application

The BLAUDIECK® LGDSU-hose as a vacuum resistant construction with an integrated steel wire helix offers high quality at a reasonable price. The hygienically smooth, non-porous UPE lining free of plasticizers is absolutely neutral to taste and odour and thus suitable for various applications in the beverage and foodstuffs industry. It is extremely resistant to commonly used cleaning and disinfecting products and can easily be cleaned conventionally or by CIP installations. Both, lining and cover are resistant to oil, fats and aggressive chemicals such as acids and caustics. Together with our swaged coupling systems and rubber protection rings it becomes the ideal hose assembly!

### Marking

2 white stripes on blue cover "Continental ContiTech BLAUDIECK® UPE FDA glass/fork symbol BfR EG 1935/2004 2023/2006 Made in Germany" spirally applied

### Description

- › White, non-porous, smooth UPE lining, free of plasticizers, absolutely neutral to taste and odour
- › Reinforcements: synthetic fibres
- › With steel wire helix
- › Blue, fabric patterned NBR-cover, resistant to ozone, weather, UV and abrasion
- › Working pressure up to 16 bar / 232 psi
- › Temperature range from -30°C up to +95°C / -22°F up to +203°F (+110°C / +230 °F max. 60 minutes)
- › Can be steamed up to +130°C / +266°F (max. 30 minutes)
- › Suitable for pure alcohol up to 100%
- › Lining and cover resistant to oil and fats
- › Meets the requirements of EG 1935/2004, EG 2023/2006 and EU 10/2011
- › Meets the recommendation III of BfR and FDA (21 CFR 177.1520)

### Technical data

nominal width inch	inner-Ø mm	wall thickness mm	length m	steel wire helix	working pressure		min. burst pressure		Vacuum		min. bending radius aprx. mm	weight aprx. g/m
					bar	psi	bar	psi	bar	mmHg		
1	25	6	40	•	16	232	48	696	-0,8	-600	170	760
1 1/4	32	6	40	•	16	232	48	696	-0,8	-600	200	1050
1 9/16	40	7	40	•	16	232	48	696	-0,8	-600	250	1450
2	50	8	40	•	16	232	48	696	-0,8	-600	330	2000
2 5/8	65	8	40	•	16	232	48	696	-0,8	-600	430	2520
3	75	8	40	•	16	232	48	696	-0,8	-600	500	2840
3 1/8	80	8	40	•	16	232	48	696	-0,8	-600	530	3050
4	100	9	40	•	16	232	48	696	-0,8	-600	660	4180

Pressure and vacuum based on room temperature / High pressure and/or temperature lead to reduced component durability





# FLUOROPAL<sup>®</sup> Food + Drink

## The high-end hose for the food and beverage industry

### Application

FLUOROPAL<sup>®</sup> Food + Drink is the premium high-end hose for pharmaceutical and cosmetic industrial applications in a range of limited conditions, as well as for the food and beverage industry. Due to its fluoroplastic lining the FLUOROPAL<sup>®</sup> is resistant to the most extreme temperature ranges. Constant temperatures up to +125°C (+257°F) and short-term temperatures for cleaning up to +150°C (+320°F) are no problem. Moreover, the all-rounder is highly resistant to commonly used cleaning and disinfecting products and almost all chemicals. The high-temperature resistant EPDM-cover is resistant to ozone and weather. Combined with our swaged fitting systems and blue protective rubber rings, the result is the ideal hose assembly.

### Marking

2 red spiral stripes with integrated white wavy line, interrupted by the words "Continental ContiTech FLUOROPAL<sup>®</sup> FDA glass/fork symbol BfR EG 1935/2004 2023/2006 Made in Germany" on blue cover, spirally applied

### Description

- › White, seamless smooth, anti-adhesive fluoroplastic lining, absolutely neutral to taste and odour
- › Reinforcements: synthetic fibres
- › With steel wire helix
- › Blue, fabric patterned EPDM-cover, resistant to ozone, weather, UV and abrasion
- › Working pressure up to 16 bar / 232 psi
- › Temperature range from -30°C up to +125°C / -22°F up to +257°F, short term up to +150°C / +302°F
- › Can be steamed up to +150°C / +302°F (max. 30 minutes)
- › Meets the requirements of EG 1935/2004, EG 2023/2006 and EU 10/2011
- › Meets FDA (21 CFR 177.1550)
- › Meets the recommendation XXI cat. 2 of BfR
- › Meets USP Class VI

### Technical data

nominal width	inner-Ø	wall thickness	length	steel wire helix	working pressure		min. burst pressure		Vacuum		min. bending radius	weight
					bar	psi	bar	psi	bar	mmHg		
inch	mm	mm	m								aprx. mm	aprx. g/m
1/2	13	4.5	40		16	232	48	696	-0,6	-450	50	330
3/4	19	5.5	40	•	16	232	48	696	-0,8	-600	80	650
1	25	6	40	•	16	232	48	696	-0,8	-600	100	830
1 1/4	32	6	40	•	16	232	48	696	-0,8	-600	125	1090
1 9/16	40	7	40	•	16	232	48	696	-0,8	-600	160	1515
2	50	8	40	•	16	232	48	696	-0,8	-600	200	2130
2 5/8	65	8	40	•	16	232	48	696	-0,8	-600	260	2900
3	75	8	40	•	16	232	48	696	-0,8	-600	300	3320
3 1/8	80	8	40	•	16	232	48	696	-0,8	-600	320	3510

Pressure and vacuum based on room temperature / High pressure and/or temperature lead to reduced component durability





## CONTI<sup>®</sup> SILO FOOD

### High quality for the conveying of synthetic granules and dry food

#### Application

CONTI<sup>®</sup> SILO FOOD is the perfect conveying hose for the use in the food industry. The white compound of the smooth liner is high abrasion resistant and fulfills the requirements acc. to FDA (dry food) and BfR XXI cat.4. The ideal hose for conveying high abrasive bulk material, such as granules, sugar, flour and the like. The hose is flexible, has a high mechanical load capacity and the construction of the hose line is electrically conductive.

#### Marking

3 orange axially applied stripes on black cover "Continental ContiTech SILO FOOD glass/fork symbol BfR FDA DN 75 PN 5 BAR / 73 PSI Made in Germany"

#### Description

- › White, smooth extruded NBR-lining, highly resistant to abrasion
- › Textile reinforcement with 2 embedded Cu-wires
- › Black, fabric patterned CR-cover, abrasion resistant, electrically conductive  $R < 10^{\circ} \Omega$
- › Working pressure up to 5 bar / 72psi
- › Temperature range from -40°C up to +80°C / -40°F up to +176°F
- › According to FDA (dry food) and BfR XXI cat.4
- › M-type hose acc. to TRBS2153 no.4.9 (Cu-wires to be grounded on both sides)

#### Technical data

nominal width	inner-Ø	wall thickness	length	working pressure		min. burst pressure		min. bending radius	weight
				bar	psi	bar	psi		
3	75	9	40	5	73	15	218	375	3550
4	100	10	40	5	73	15	218	500	5000

Pressure based on room temperature / High pressure and/or temperature lead to reduced component durability





# CONTI® CLEANJET - FDA

The ideal cleaning hose for conveying cold and hot water

## Application

CONTI® CLEANJET - FDA is the perfect cleaning (washdown) hose for the food and beverage industry. The hose is designed for cold water as well as hot water up to +80°C (+176°F). CONTI® CLEANJET - FDA is able to convey hot oil and fluid fatty food.

## Marking

"Continental ContiTech CLEANJET DN 19 PN 10 BAR / 145 PSI FDA glass/fork symbol EG 1935/2004 2023/2006 Made in Germany" on blue cover

## Description

- › White, non-porous NBR lining
- › Reinforcements: synthetic fibres
- › Blue, fat resistant NBR cover (also chicken fat), resistant to ozone, weather, UV and abrasion
- › Working pressure up to 90 bar / 1305 psi
- › Temperature range from -20°C up to +80°C / -4°F up to +176°F
- › Can be steamed up to 6 bar / 87 psi (+164°C / +327°F) for sterilisation – open system only
- › Highly flexible
- › Lining and cover both resistant to oil and fats
- › Meets the requirements of EG 1935/2004 und EG 2023/2006
- › Meets FDA (21 CFR 177.2600)

## Technical data

nominal width	inner-Ø	wall thickness	length	working pressure		min. burst pressure		min. bending radius	weight
				bar	psi	bar	psi		
3/8	9,5	4.5	> 5	90	1305	360	5221	70	270
1/2	12,5	4.75	> 5	90	1305	360	5221	80	335
1/2	13	4	40	10	145	30	435	130	320
5/8	15	4.5	40	10	145	30	435	150	425
3/4	19	4.5	40	10	145	30	435	190	460

Pressure based on room temperature / High pressure and/or temperature lead to reduced component durability





# TRIX® MULTIFOOD - white

## The versatile hose for the food industry

### Application

TRIX® MULTIFOOD is the universal hose for the food industry. It can be used in dairy, cheese production, margarine production, large-scale catering establishments, fish processing industry as well as in breweries, slaughter-houses, oil mills, skinning industry, large-scale butcher's shops and jam production. It is suitable for conveying milk, whey and hot water up to +90°C (+194°F).

### Marking

"Continental ContiTech TRIX® MULTIFOOD DN 13 PN 20 BAR / 290 PSI glass/fork symbol FDA Made in Germany" on white cover

### Description

- › White, homogeneous, smooth, NBR-lining, absolutely neutral to taste and odour
- › Reinforcements: synthetic fibres
- › White, smooth NBR-cover, resistant to ozone, weather, UV, oils, fats and abrasion
- › Working pressure up to 20 bar / 290 psi
- › Temperature range from -20°C up to +90°C / -4°F up to +194°F
- › Can be steamed up to 6 bar / 87 psi (+164°C / +327°F) – open system only
- › Meets the requirements of EG 1935/2004 and EG 2023/2006
- › Meets FDA (21 CFR 177.2600)

### Technical data

nominal width	inner-Ø	wall thickness	length	working pressure		min. burst pressure		min. bending radius	weight
				bar	psi	bar	psi		
1/2	13	5	40	20	290	60	870	95	430
5/8	16	5	40	20	290	60	870	115	500
3/4	19	6	40	20	290	60	870	150	700
1	25	7	40	20	290	60	870	200	1050

Pressure based on room temperature / High pressure and/or temperature lead to reduced component durability





# TRIX® MULTIFOOD - blue

## The versatile hose for the food industry

### Application

TRIX® MULTIFOOD is the universal hose for the food industry. It can be used in dairy, cheese production, margarine production, large-scale catering establishments, fish processing industry as well as in breweries, slaughter-houses, oil mills, skinning industry, large-scale butcher's shops and jam production. It is suitable for conveying milk, whey and hot water up to +90°C (+194°F).

### Marking

"Continental ContiTech TRIX® MULTIFOOD DN 13 PN 20 BAR / 290 PSI glass/fork symbol FDA Made in Germany" on blue cover

### Description

- › White, homogeneous, smooth NBR-lining, absolutely neutral to taste and odour
- › Reinforcements: synthetic fibres
- › Blue, smooth NBR-cover, resistant to ozone, weather, UV, oils, fats and abrasion
- › Working pressure up to 20 bar / 290 psi
- › Temperature range from -20°C up to +90°C / -4°F up to +194°F
- › Can be steamed up to 6 bar / 87 psi (+164°C / +327°F) – open system only
- › Meets the requirements of EG 1935/2004 and EG 2023/2006
- › Meets FDA (21 CFR 177.2600)

### Technical data

nominal width	inner-Ø	wall thickness	length	working pressure		min. burst pressure		min. bending radius	weight
				bar	psi	bar	psi		
1/2	13	5	40	20	290	60	870	95	430
5/8	16	5	40	20	290	60	870	115	500
3/4	19	6	40	20	290	60	870	150	700
1	25	7	40	20	290	60	870	200	1050

Pressure based on room temperature / High pressure and/or temperature lead to reduced component durability







## PAGUFIX® 3000 female part - DIN 11851

The ideal swaged coupling for the beverage and foodstuff industries

### Application

In order to meet the very severe hygiene and safety requirements in the brewing, beverage and foodstuffs industries, ContiTech Schlauch GmbH offers the PAGUFIX 3000 swaged coupling, which sets new standards in quality and swaging technology. Manufactured from stainless steel 1.4301 and available in all common nominal sizes of hose, PAGUFIX 3000 is the ideal connection for all beer, beverage and foodstuffs hoses from ContiTech Schlauch GmbH - whether they contain a steel-wire helix or not. Of course, this high-quality coupling is also available in other material qualities and special designs, ensuring that it can be adapted to best meet individual specifications. With this coupling system, the hose assembly can no longer become a HACCP problem.

### Marking

"PAGUFIX 3000 DN 50x8 - 1.4301"

### Special types available on request

Special types of couplings and other thread types available on request (e.g. SMS 1145, IDF ISO 2853, RJT BS 4825, DS 722, Aseptic DIN 11864 part 1, clamp, open welding end).

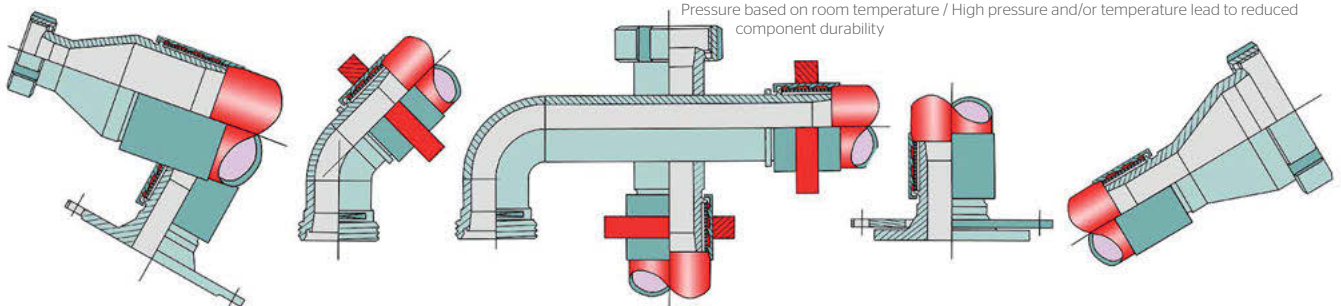
### Description

- › Suitable for a great variety of applications in the brewing, beverage and foodstuff industry
- › Smooth and hygienically clean connection, without any transition between lining and fitting
- › Perfect seal of the hose end (no wicking effect)
- › Very high compression strength and resistance to pull-off forces up to 50 bar, also with hot cleaning
- › No damage to lining through swaging process
- › Rubber protection rings available in blue

### Technical data

nominal width zoll/inch	Inner- Ø mm	wall thickness mm	working pressure		min. burst pressure		weight aprx. g/piece
			bar	psi	bar	psi	
1/2	13	4.0	16	232	48	696	220
3/4	19	5.0	16	232	48	696	290
1	25	6.0	16	232	48	696	410
1 1/4	32	6.0	16	232	48	696	610
1 1/4	32	8.0	16	232	48	696	630
1 1/2	38	6.5	16	232	48	696	870
1 1/2	38	9.0	16	232	48	696	870
1 2/3	40	7.0	16	232	48	696	870
1 2/3	40	9.0	16	232	48	696	870
2	50	8.0	16	232	48	696	1110
2	50	10.0	16	232	48	696	1200
2 5/8	65	8.0	16	232	48	696	1840
2 5/8	65	12.0	16	232	48	696	1880
3	75	8.0	16	232	48	696	2115
3	75	12.0	16	232	48	696	2130
3 1/8	80	8.0	16	232	48	696	2400
3 1/8	80	14.0	16	232	48	696	2400
4	100	9.0	16	232	48	696	3030
4	100	15.0	16	232	48	696	3050

Pressure based on room temperature / High pressure and/or temperature lead to reduced component durability





# PAGUFIX® 3000 male part - DIN 11851

The ideal swaged coupling for the beverage and foodstuff industries

## Application

In order to meet the very severe hygiene and safety requirements in the brewing, beverage and foodstuffs industries, ContiTech Schlauch GmbH offers the PAGUFIX 3000 swaged coupling, which sets new standards in quality and swaging technology. Manufactured from stainless steel 1.4301 and available in all common nominal sizes of hose, PAGUFIX 3000 is the ideal connection for all beer, beverage and foodstuffs hoses from ContiTech Schlauch GmbH - whether they contain a steel-wire helix or not. Of course, this high-quality coupling is also available in other material qualities and special designs, ensuring that it can be adapted to best meet individual specifications. With this coupling system, the hose assembly can no longer become a HACCP problem.

## Marking

"PAGUFIX 3000 DN 50x8 - 1.4301"

## Special types available on request

Special fittings (SMS 1145, IDF ISO 2853, RJT BS 4825, DS 722, Aseptik DIN 11864 Teil 1, Clamp, weld-on end) upon request.

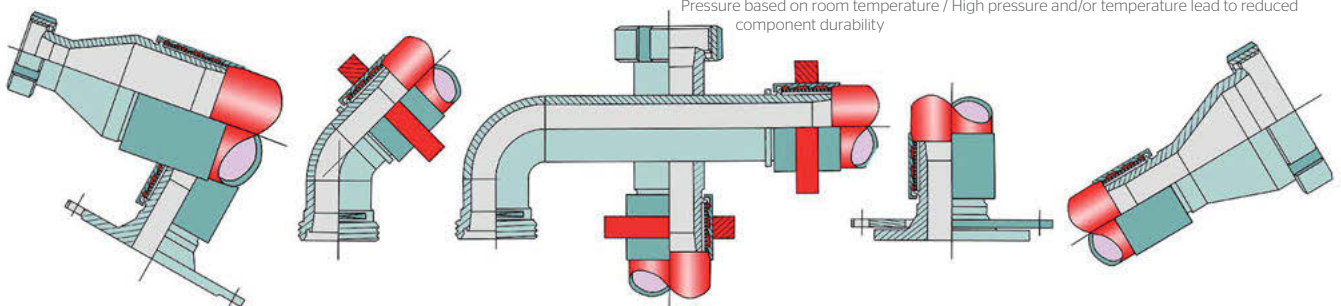
## Description

- › Suitable for a great variety of applications in the brewing, beverage and foodstuff industry
- › Smooth and hygienically clean connection, without any transition between lining and fitting
- › Perfect seal of the hose end (no wicking effect)
- › Very high compression strength and resistance to pull-off forces up to 50 bar, also with hot cleaning
- › No damage to lining through swaging process
- › Rubber protection rings available in blue

## Technical data

nominal width	Inner-Ø	wall thickness	working pressure		min. burst pressure		weight
			bar	psi	bar	psi	
1/2	13	4.0	16	232	48	696	180
3/4	19	5.0	16	232	48	696	210
1	25	6.0	16	232	48	696	540
1 1/4	32	6.0	16	232	48	696	430
1 1/4	32	8.0	16	232	48	696	450
1 1/2	38	6.5	16	232	48	696	610
1 1/2	38	9.0	16	232	48	696	610
1 2/3	40	7.0	16	232	48	696	770
1 2/3	40	9.0	16	232	48	696	780
2	50	8.0	16	232	48	696	830
2	50	10.0	16	232	48	696	920
2 5/8	65	8.0	16	232	48	696	1210
2 5/8	65	12.0	16	232	48	696	1250
3	75	8.0	16	232	48	696	1400
3	75	12.0	16	232	48	696	1400
3 1/8	80	8.0	16	232	48	696	1500
3 1/8	80	14.0	16	232	48	696	1500
4	100	9.0	16	232	48	696	1930
4	100	15.0	16	232	48	696	3050

Pressure based on room temperature / High pressure and/or temperature lead to reduced component durability



ContiTech Fluid Technology  
Market segment industrial hose

ContiTech Schlauch GmbH  
Continentalstraße 3-5 | 34497 Korbach, Germany

industrial.hoses@fluid.contitech.de

www.contitech.de  
www.contitech.de/fih

The content of this publication is not legally binding and is provided as information only. The trademarks displayed in this publication are the property of Continental AG and/or its affiliates. Copyright © 2014 ContiTech AG. All rights reserved. For complete information go to: [www.contitech.de/discI\\_en](http://www.contitech.de/discI_en)

WT 1029 G 11.2014. Printed with ContiTech offset printing blankets on bleached paper free of chlorine.





# BLAUDIECK® Hose Coupling System female part

## The piggable coupling - DIN 11851

### Application

On request, ContiTech Schlauch GmbH supplies any desired hose length - either with or without steelwire - pre-fitted with the Blaudieck® coupling system. In the brewing, beverage and foodstuffs industries, this system is a recognized standard when an ultra-hygienic hose assembly is required which enables an easy flow of the product without any clearance volume and which can be easily cleaned mechanically (piggable). The high pressure resistance of the couplings helps prevent accidents. Stainless steel 1.4301 is used as a standard for this coupling system. Other materials on request.

### Marking

"BLAUDIECK DN 50x8 - 1.4301"

### On request we deliver the following coupling types

- › DIN 11864-1 aseptic
- › clamp - design Inch
- › ISO 2853 IDF international
- › BS 4825 RJT British Standard
- › SMS 1145 SMS Swedish Standard
- › DS 722 DS Danish Standard
- › Open welding end

### Description

- › Suitable for a great variety of applications in the brewing, beverage and foodstuff industries
- › Smooth and hygienically clean connection, without any transition between lining and fitting
- › Perfect seal of the hose end (no wicking effect)
- › Resistance to pull-off forces above working pressure
- › No damage to lining through swaging process
- › No variation in cross-section within the couplings area
- › Piggable
- › Rubber protection rings available in blue

### Technical data

nominal width zoll/inch	Inner- Ø mm	wall thickness mm	working pressure		min. burst pressure		weight aprx. g/piece
			bar	psi	bar	psi	
1	25	6.0	12	174	48	696	540
1 1/4	32	6.0	12	174	48	696	720
1 1/4	32	8.0	12	174	48	696	720
1 2/3	40	7.0	12	174	48	696	900
1 2/3	40	9.0	12	174	48	696	900
2	50	8.0	12	174	48	696	1240
2	50	10.0	12	174	48	696	1240
2 5/8	65	8.0	12	174	48	696	1580
2 5/8	65	12.0	12	174	48	696	1980
3	75	8.0	12	174	48	696	3520
3	75	12.0	12	174	48	696	3520
3 1/8	80	8.0	12	174	48	696	3600
3 1/8	80	14.0	12	174	48	696	3800
4	100	9.0	12	174	48	696	5050
4	100	15.0	12	174	48	696	5050

Pressure based on room temperature / High pressure and/or temperature lead to reduced component durability





# BLAUDIECK® Hose Coupling System male part

## The piggable coupling - DIN 11851

### Application

On request, ContiTech Schlauch GmbH supplies any desired hose length - either with or without steelwire - pre-fitted with the Blaudieck® coupling system. In the brewing, beverage and foodstuffs industries, this system is a recognized standard when an ultra-hygienic hose assembly is required which enables an easy flow of the product without any clearance volume and which can be easily cleaned mechanically (piggable). The high pressure resistance of the couplings helps prevent accidents. Stainless steel 1.4301 is used as a standard for this coupling system. Other materials on request.

### Marking

"BLAUDIECK DN 50x8 - 1.4301"

### Description

- › Suitable for a great variety of applications in the brewing, beverage and foodstuff industries
- › Smooth and hygienically clean connection, without any transition between lining and fitting
- › Perfect seal of the hose end (no wicking effect)
- › Resistance to pull-off forces above working pressure
- › No damage to lining through swaging process
- › No variation in cross-section within the couplings area
- › Piggable
- › Rubber protection rings available in blue

### On request we deliver the following coupling types:

- › DIN 11864-1 aseptic
- › clamp - design Inch
- › ISO 2853 IDF international
- › BS 4825 RJT British Standard
- › SMS 1145 SMS Swedish Standard
- › DS 722 DS Danish Standard
- › Open welding end

### Technical data

nominal width zoll/inch	Inner- Ø mm	wall thickness mm	working pressure		min. burst pressure		weight aprx. g/piece
			bar	psi	bar	psi	
1	25	6.0	12	174	48	696	370
1 1/4	32	6.0	12	174	48	696	550
1 1/4	32	8.0	12	174	48	696	550
1 2/3	40	7.0	12	174	48	696	700
1 2/3	40	9.0	12	174	48	696	700
2	50	8.0	12	174	48	696	950
2	50	10.0	12	174	48	696	950
2 5/8	65	8.0	12	174	48	696	1100
2 5/8	65	12.0	12	174	48	696	1500
3	75	8.0	12	174	48	696	2970
3	75	12.0	12	174	48	696	2970
3 1/8	80	8.0	12	174	48	696	2970
3 1/8	80	14.0	12	174	48	696	3170
4	100	9.0	12	174	48	696	4000
4	100	15.0	12	174	48	696	4000

Pressure based on room temperature / High pressure and/or temperature lead to reduced component durability

